

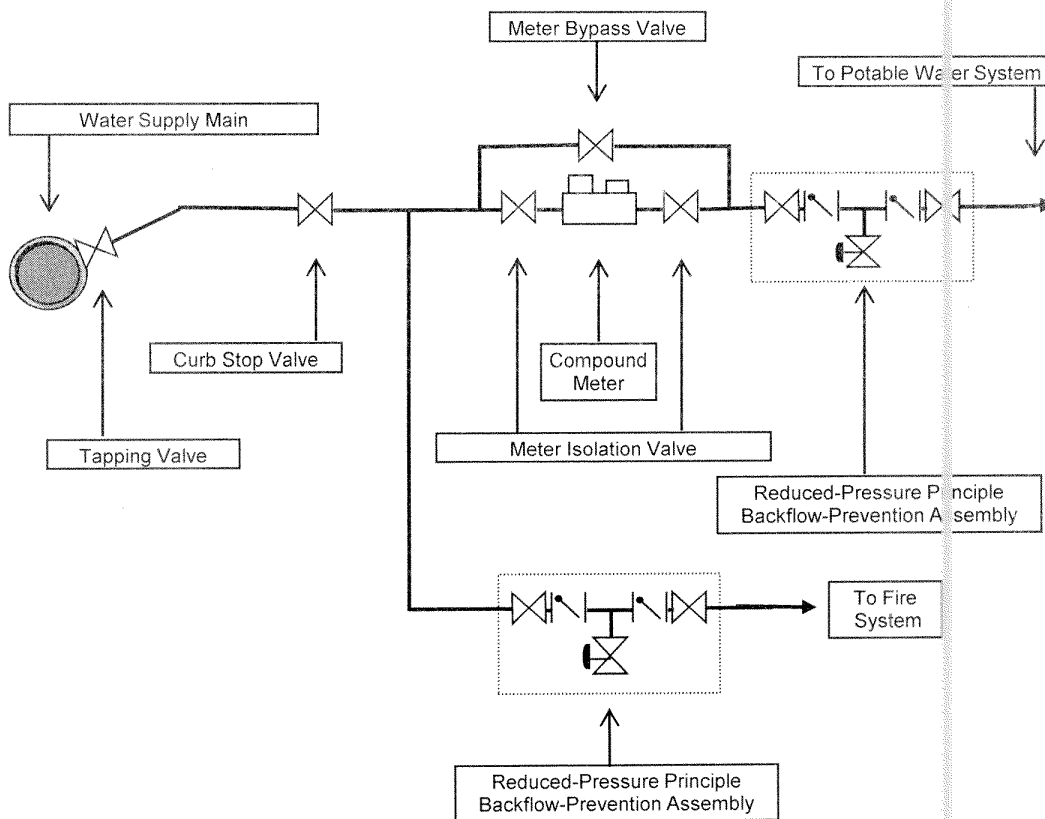


Celina Utilities - Water Department

714 S. Sugar Street • Celina, Ohio 45822

Recommended Backflow Prevention & Cross-Connection Control Device Setup

The following diagram is the recommended backflow prevention device setup, in accordance with ordinance number 14-80-0.



Phone:
419-586-2270

Fax:
419-586-3598

Email:
cwtpsupt@
bright.net

For your use and information, a copy of the City of Celina, Ordinance 14-80-0 and the Ohio Administrative Code 3745-95, are available at the Celina Utilities Office.